

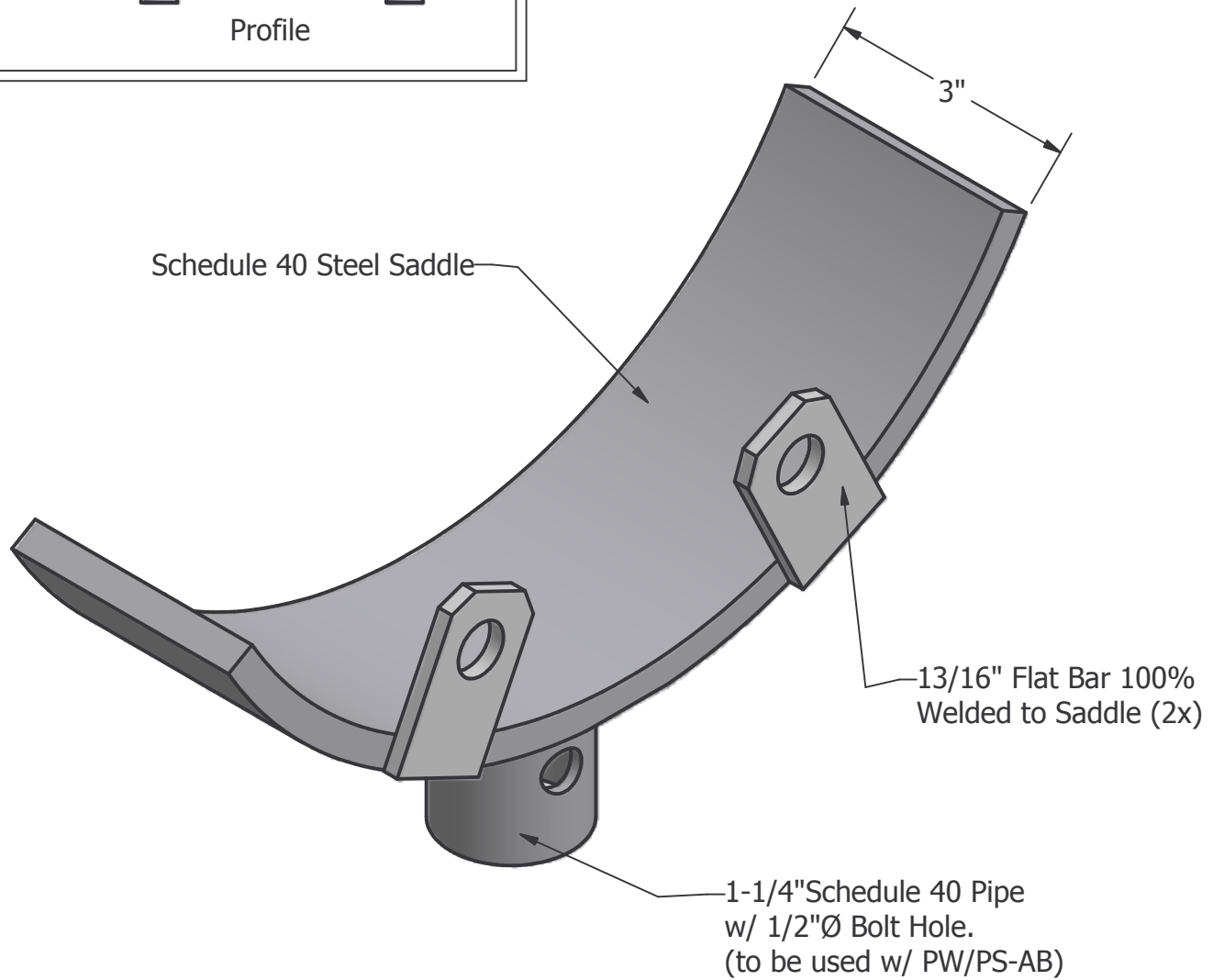
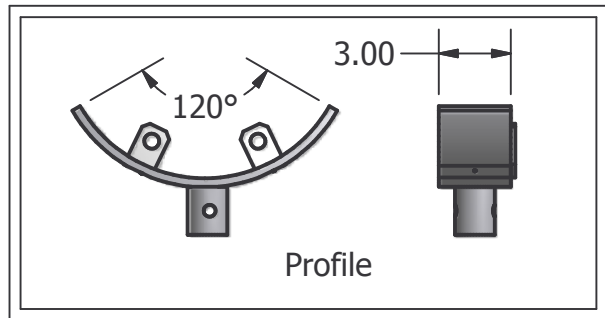
2



1

Bolt To Flange Saddle For Sizes 2" TO 24" [HDG] *Placer Waterworks Inc.*

1327 Furneaux Road
Plumas Lakes, CA. 95961
(530) 742-9675



- NOTE:
1. Entire Saddle is made of steel
 2. Saddle is Hot Dip Galvanixed after fabrication.
 3. Saddles can be custom made to fit any size Flange.
 4. All Welding per AWS Specifications.

2



1

ERROR: syntaxerror
OFFENDING COMMAND: --nostringval--

STACK:

(SDLB-X [Galvanized])
/Title
()
/Subject
(D:20100702090525)
/ModDate
()
/Keywords
(PDFCreator Version 0.8.0)
/Creator
(D:20100702090525)
/CreationDate
(Gary)
/Author
-mark-